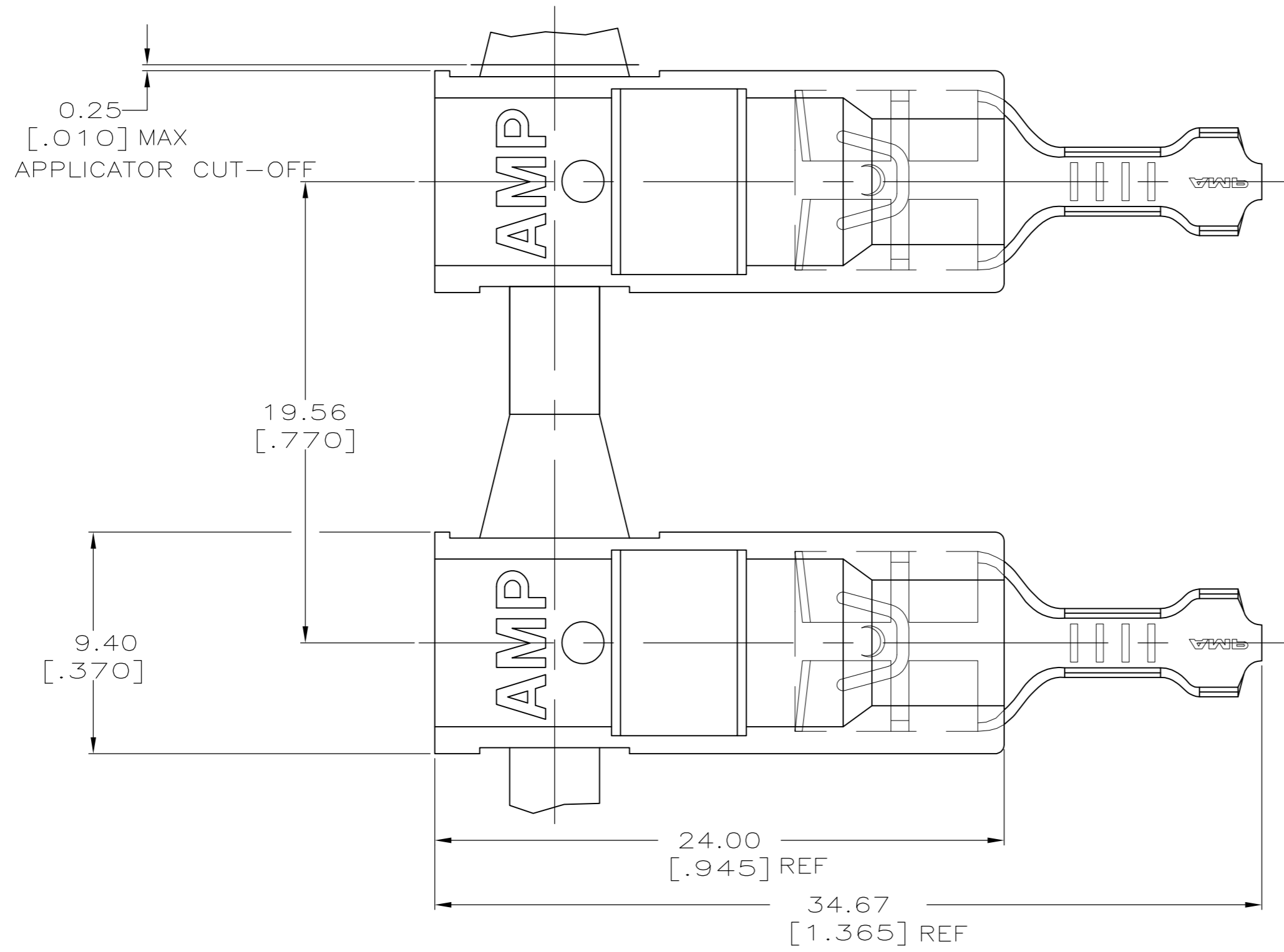
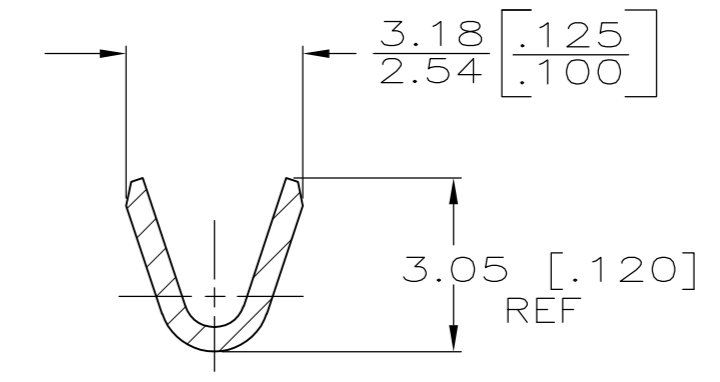


THIS DRAWING IS UNPUBLISHED. RELEASED FOR PUBLICATION  
 © COPYRIGHT - By - ALL RIGHTS RESERVED.

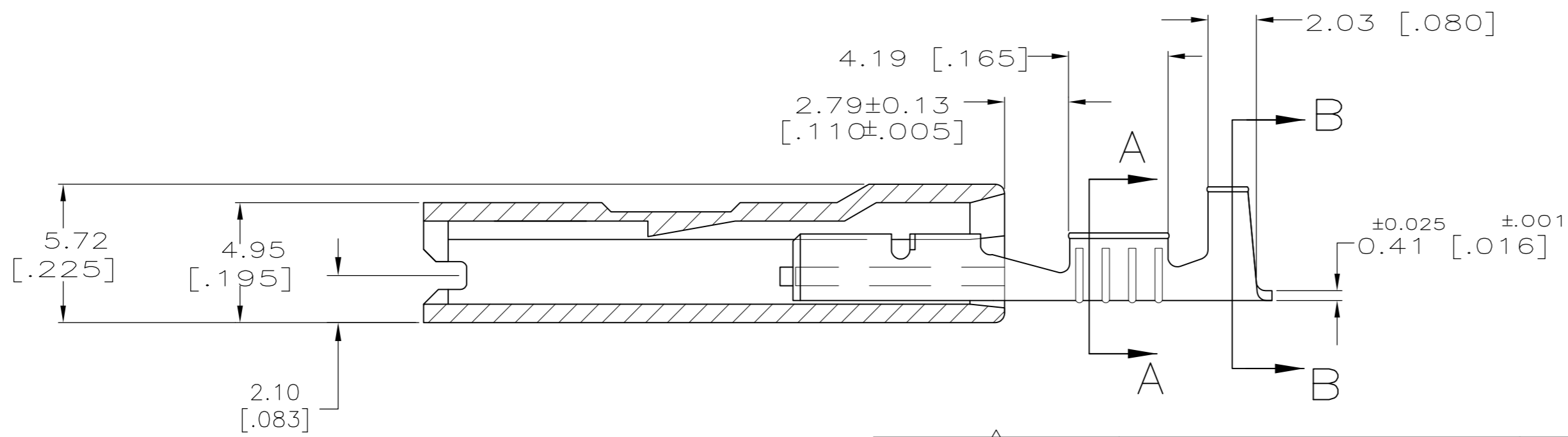
LOC		DIST		REVISIONS			
P	LTR	DESCRIPTION		DATE	DWN	APVD	
AF	50	A2	REVISED PER ECR-12-013219		08JAN13	KH	KR



- 1 0.002032 [.000080] MIN TIN
- 2 LOW-INSERTION FASTON TERMINALS, BASE PART NUMBER 63609, ARE USED IN THIS PRODUCT.



SECTION A-A  
SCALE 8:1



SECTION B-B  
SCALE 8:1

1 PLAIN	2.29-3.30 [.090-.130]	0.3-0.8 mm <sup>2</sup> [22-18]	0.81 [.032]	521368-2
TERMINAL FINISH	INSULATION RANGE	WIRE SIZE	MATING TAB THK ±0.025 [±.001]	521368-1
			PART NO	

THIS DRAWING IS A CONTROLLED DOCUMENT.		DWN	JR RUTH	15JAN01	 TE Connectivity
DIMENSIONS: mm [INCHES]		CHK	MS FEHER	15JAN01	
TOLERANCES UNLESS OTHERWISE SPECIFIED:		APVD	J HUMMEL	15JAN01	
0 PLC ± - 1 PLC ± - 2 PLC ± 0.25 [.010] 3 PLC ± - 4 PLC ± - ANGLES ± -		PRODUCT SPEC	108-1285		
MATERIAL		APPLICATION SPEC	114-2124		SIZE
TERMINAL - BRASS		FINISH	-		CAGE CODE
HOUSING - 6/6 VO NYLON		TERMINAL - SEE TABLE	HOUSING - NATURAL		DRAWING NO
		HOUSING - NATURAL			RESTRICTED TO
			CUSTOMER DRAWING		SCALE
					5:1
					SHEET
					1 of 1
					REV
					A2