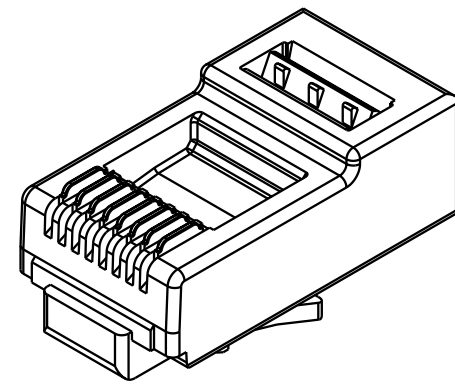
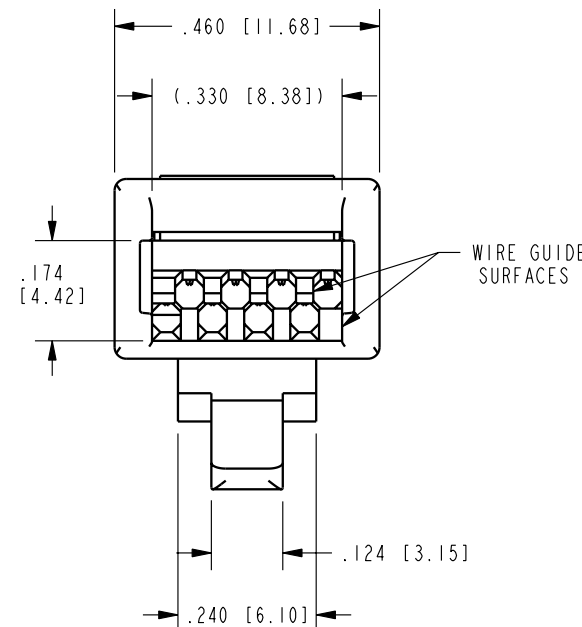
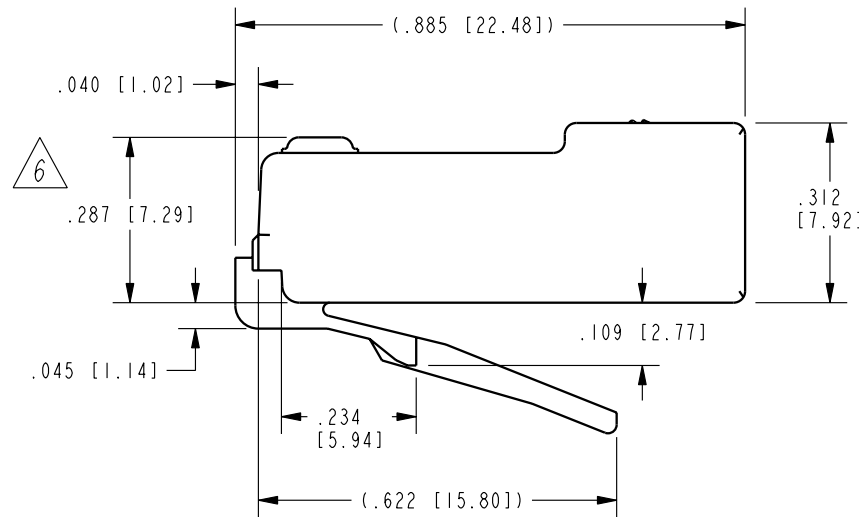
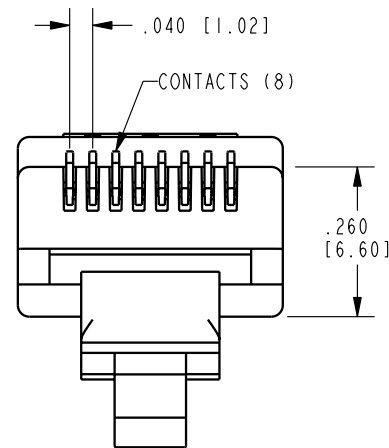
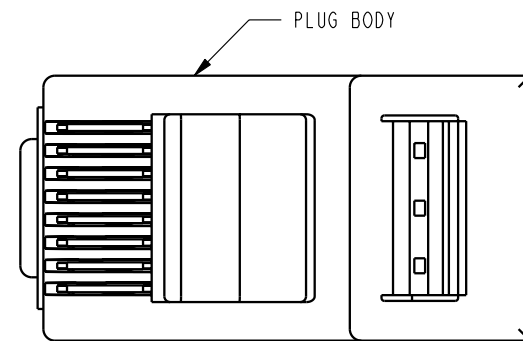


| DATE | REV. | ECN | APP'D BY |
|---------|------|------|----------|
| 6-29-06 | A0 | - | - |
| 9-18-06 | A1 | 7758 | TRM |
| 12-1-06 | B0 | 7851 | TRM |

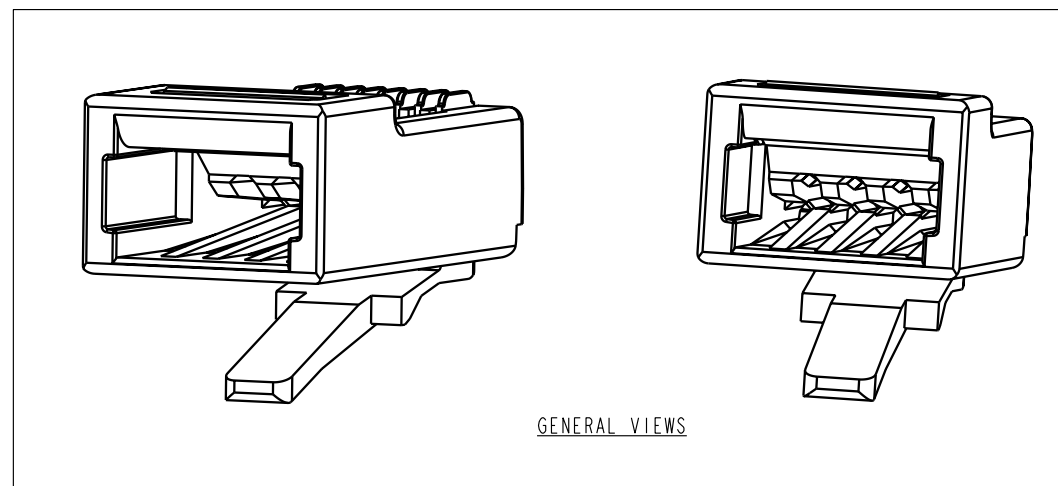


PLUG HOUSING
SCALE 2.5

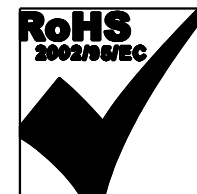


- NOTES:
- PART CONSISTS OF:
PRE-INSERTED PLUG BODY
 - MATERIALS:
FRONT HOUSING PLASTIC : CLEAR POLYCARBONATE, UL 94-V0
CONTACTS : PHOSPHOR BRONZE, SELECTIVE GOLD PLATING
 - CONTACTS TERMINATE SOLID OR STRANDED CONDUCTORS BETWEEN .042 [1.07] TO .048 [1.22] OUTSIDE DIAMETER OF INSULATION
 - DESIGNED FOR CATEGORY 5/5e APPLICATIONS.
 - DIMENSIONS AND TOLERANCES COMPLY WITH FCC/CFR 47, PART 68.
 - TERMINATED PLUG HEIGHT: .237 [6.02] ±.005 [0.13]
 - FOR PRODUCT SPECIFICATION SEE PRO26-01.

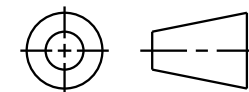
| | | |
|---------|-----------------------------------|--------------|
| BULK | 50 MICRO-INCHES [1.27um] | SS-37000-009 |
| PACKAGE | CONTACT PLATING IN MATING AREA | PART NUMBER |



GENERAL VIEWS



THIRD ANGLE PROJECTION



DO NOT SCALE DRAWING
DRAWING IS SUBJECT TO
CHANGE WITHOUT NOTICE

DIMENSIONS: INCHES [METRIC]
UNLESS OTHERWISE SPECIFIED
TOLERANCES ARE ±.005 [0.13]
ANGLES ARE ±1°

SHEET NO.
1 OF 1

Bel Stewart Connector

11118 Susquehanna Trail South
Glen Rock, PA 17327-9199
(717) 235-7512 Fax: (717) 235-7954 <http://www.stewartconnector.com>

TITLE: UNSHIELDED CAT 5 PLUG

THIS DRAWING AND THE SUBJECT MATTER SHOWN THEREON ARE CONFIDENTIAL AND THE PROPRIETARY PROPERTY OF BEL STEWART CONNECTOR AND SHALL NOT BE REPRODUCED, COPIED, OR USED IN ANY MANNER WITHOUT PRIOR WRITTEN CONSENT OF BEL STEWART CONNECTOR. THE SUBJECT MATTER MAY BE PATENTED OR A PATENT MAY BE PENDING.

| | | | |
|----------|----------|------|---------|
| DRN BY: | TRM | DATE | 6-29-06 |
| APPD BY: | DHG | DATE | 6-29-06 |
| DWG. NO. | CT370059 | REV. | B0 |