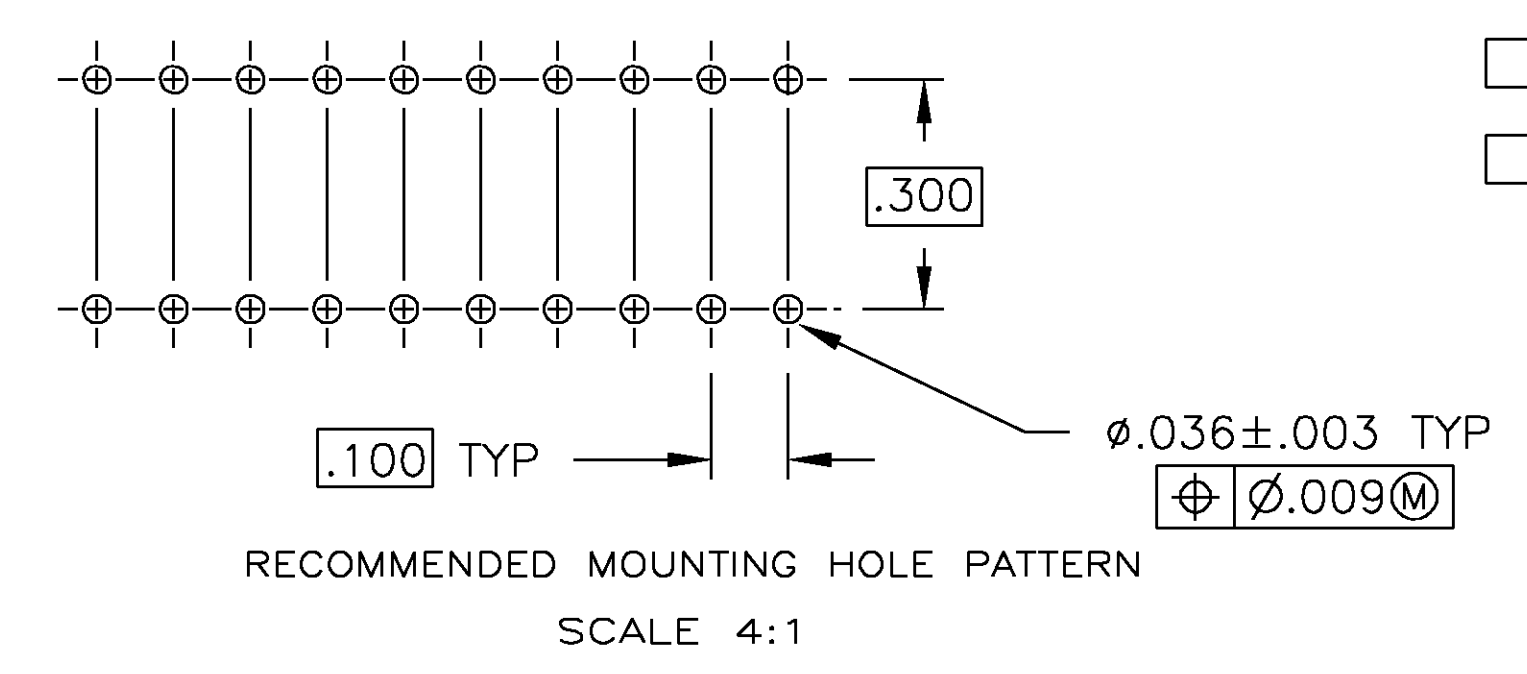
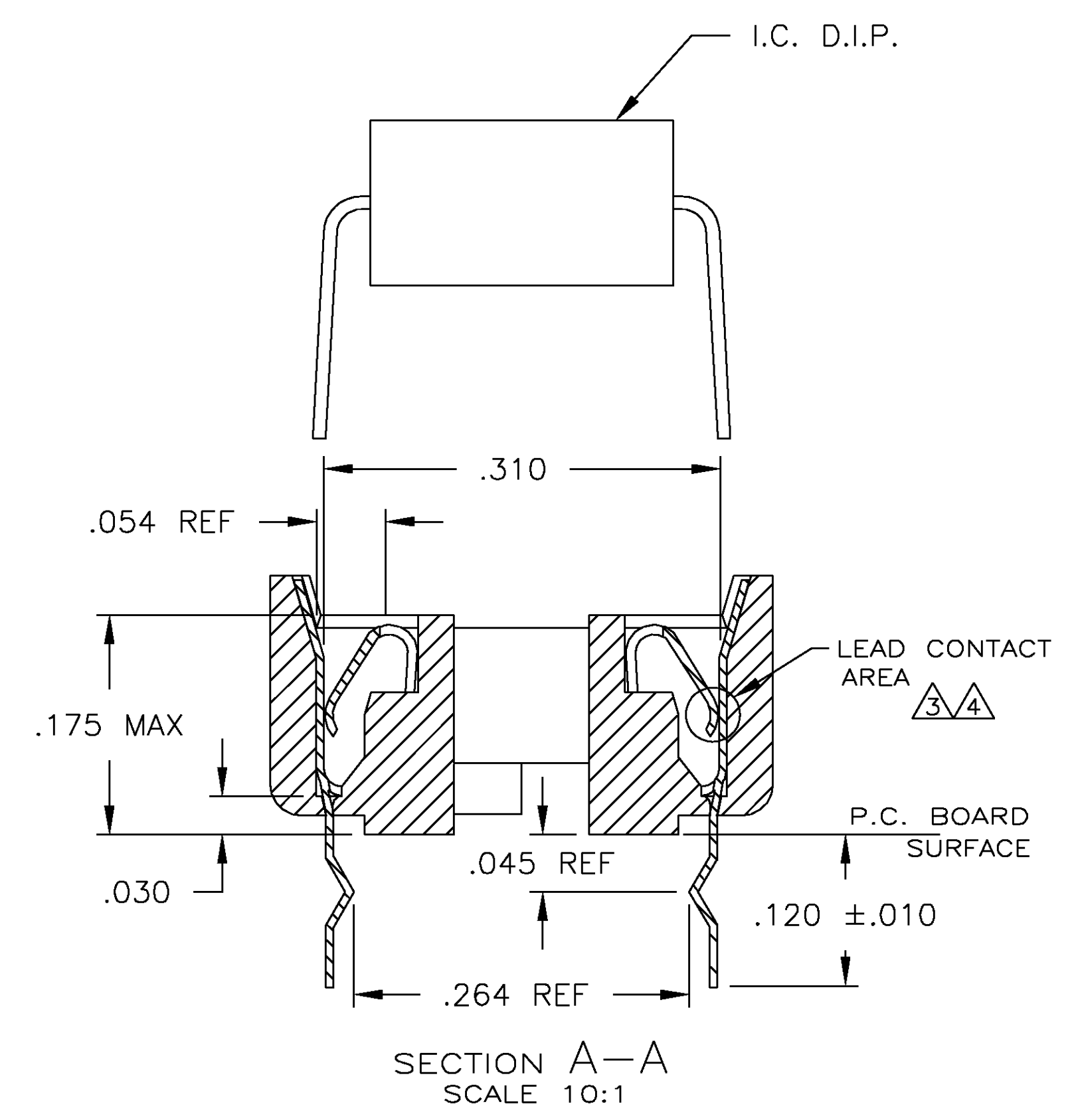
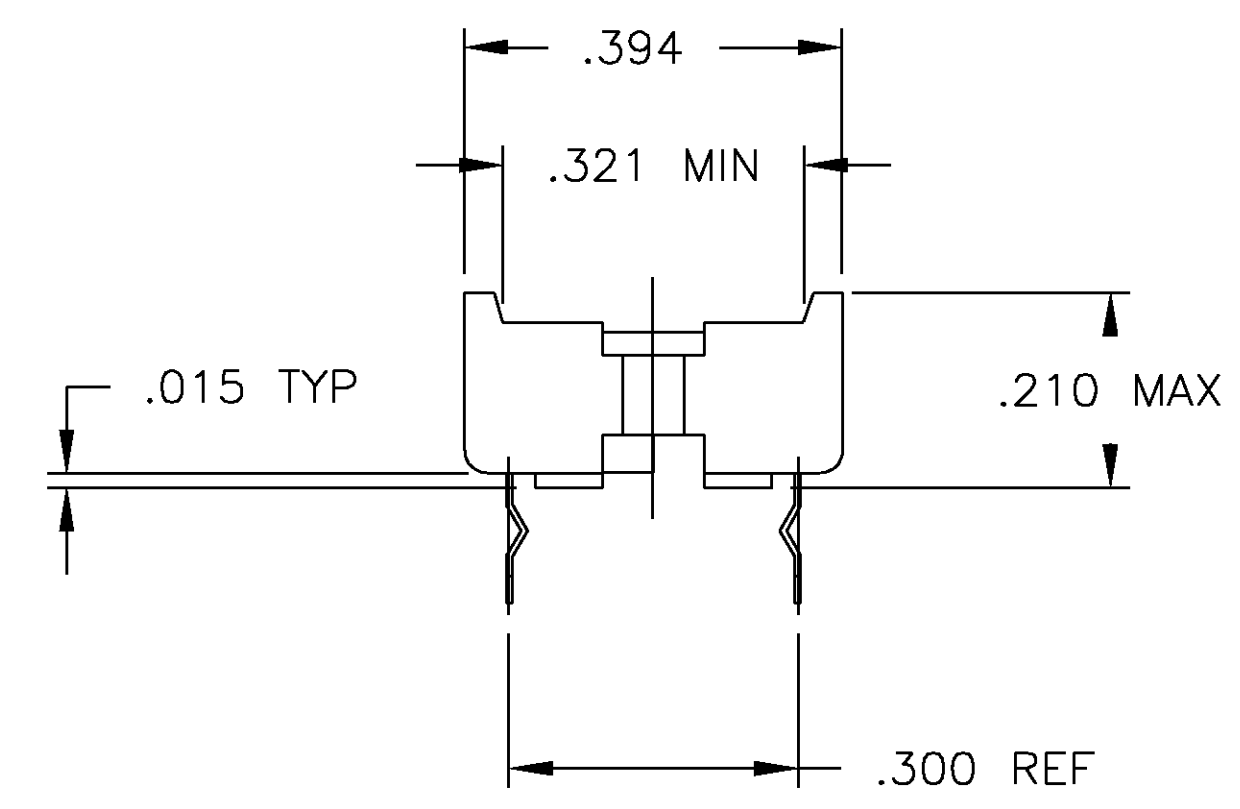
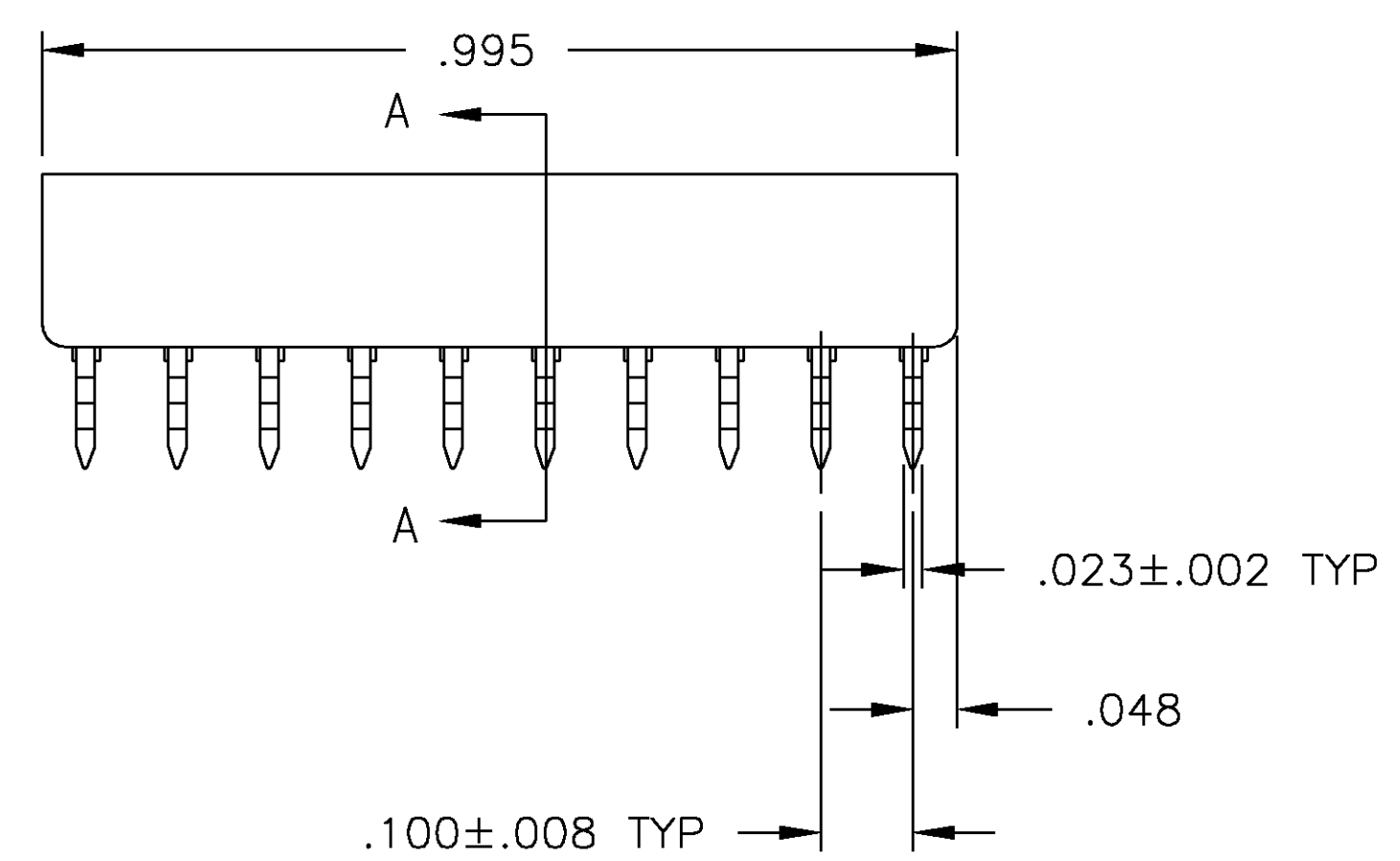
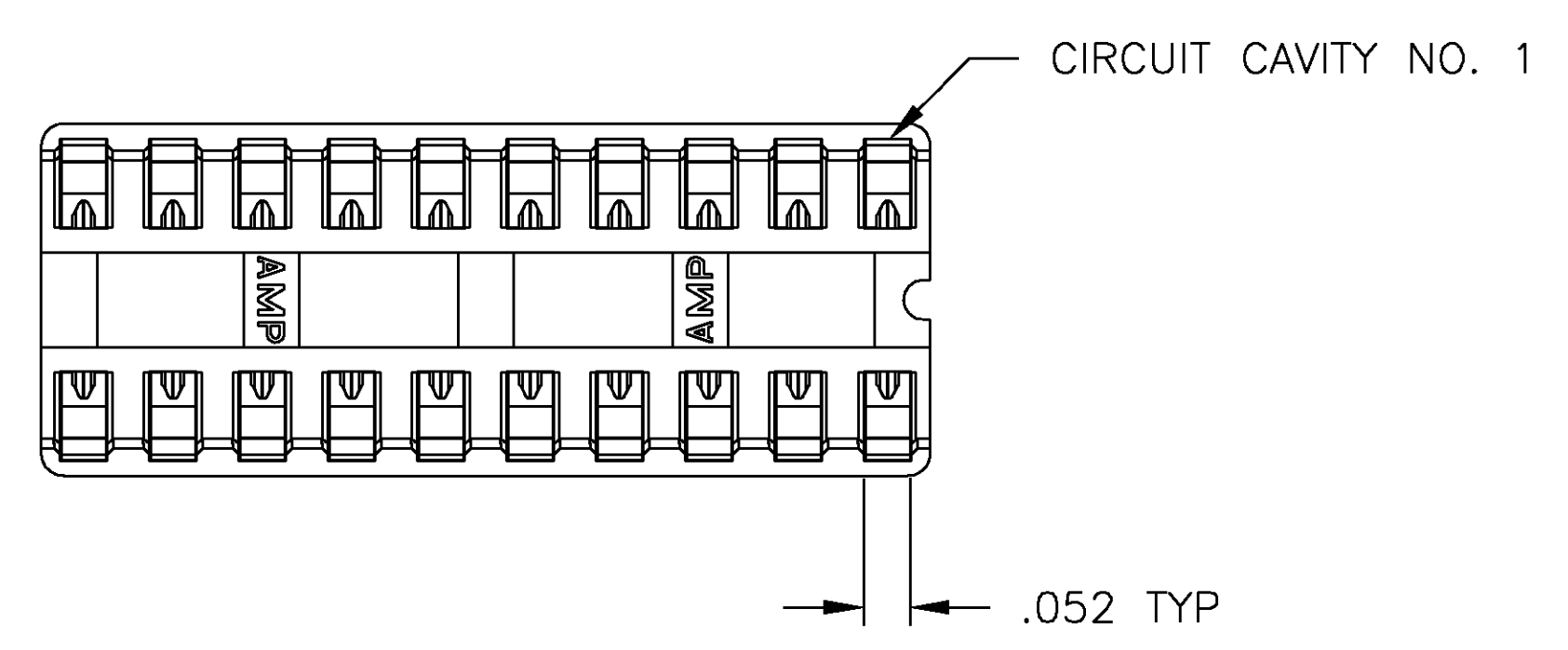


1. RECEPTACLE ACCEPTS A .008-.014 THICK I.C. LEAD.
2. TUBE LOADED.
3. TWO .000030 MIN THK. GOLD STRIPES IN CONTACT AREA WITH TIN-LEAD (93/7) ON CONTACT LEGS, BALANCE OF CONTACT NICKEL PLATED.
4. TWO .000015 MIN THK. GOLD STRIPES IN CONTACT AREA WITH TIN-LEAD (93/7) ON CONTACT LEGS, BALANCE OF CONTACT NICKEL PLATED.



OBSOLETE	TINNED	PHOS.BRZ. .006 THK	GLASS-FILLED THERMOPLASTIC, 94V-O, BLACK	2-641612-5
	3	PHOS.BRZ. .006 THK	GLASS-FILLED THERMOPLASTIC, 94V-O, BLACK	2-641612-4
OBSOLETE	TINNED	PHOS.BRZ. .006 THK	GLASS-FILLED THERMOPLASTIC, 94V-O, BLACK	2-641612-3
	3	BE.CU. .006 THK	GLASS-FILLED THERMOPLASTIC, 94V-O, BLACK	2-641612-2
	TINNED	BE.CU. .006 THK	GLASS-FILLED THERMOPLASTIC, 94V-O, BLACK	2-641612-1
CONTACT FINISH		CONTACT MAT'L	HOUSING MATERIAL	PART NO.

THIS DRAWING IS A CONTROLLED DOCUMENT.

DW	R BROWN	09JAN01
OK	H WYNKOOP	17NOV00
APVD	H WYNKOOP	17NOV00
NAME	SOCKET ASSY, DIP, LADDER, RET LEG, 20 POS, DIPLOMATE™ DL	
PRODUCT SPEC	108-1066	
APPLICATION SPEC	114-1049	
SIZE	CODE	DRAWING NO
A1	00779	641612
WEIGHT	-	
MATERIAL	SEE TABLE	
FINISH	SEE TABLE	
CUSTOMER DRAWING	SCALE	5:1

AMP Tyco Electronics Corporation
Harrisburg, PA 17105

RESTRICTED TO