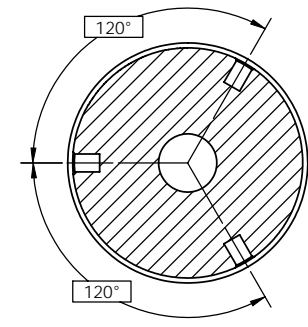
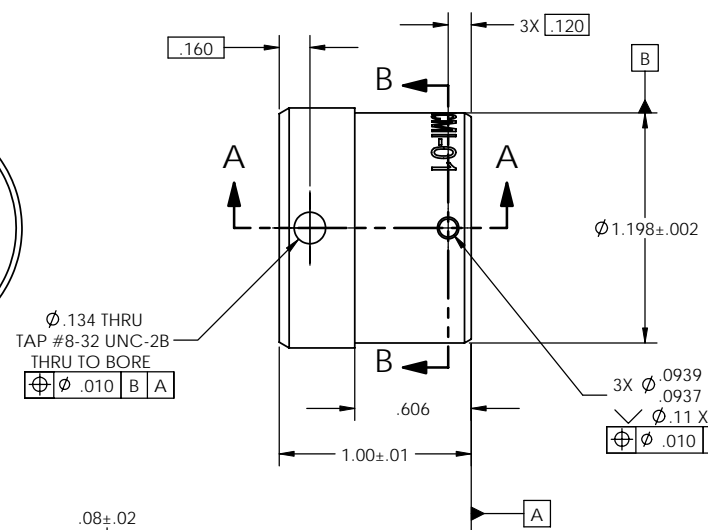
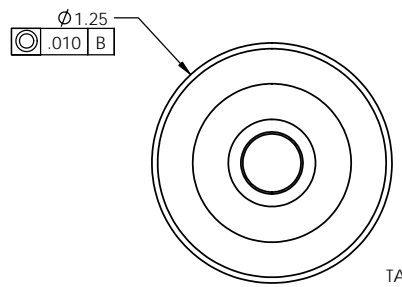
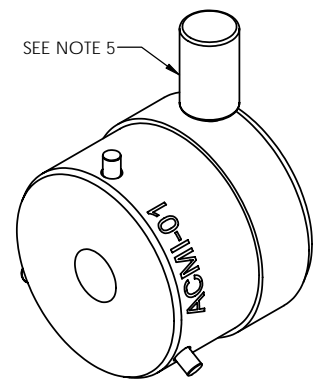
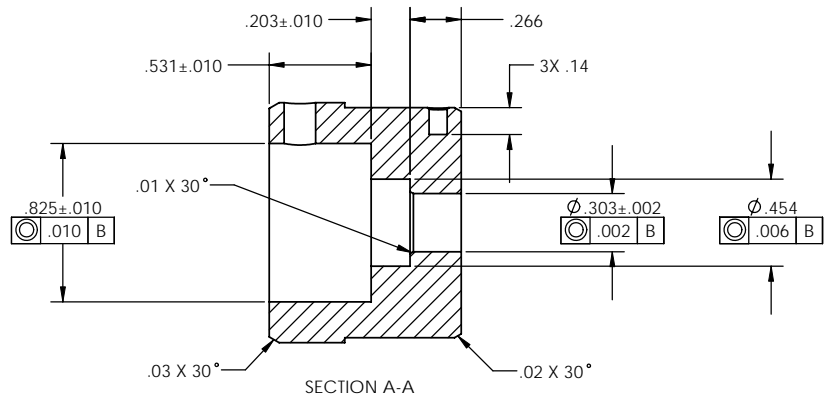
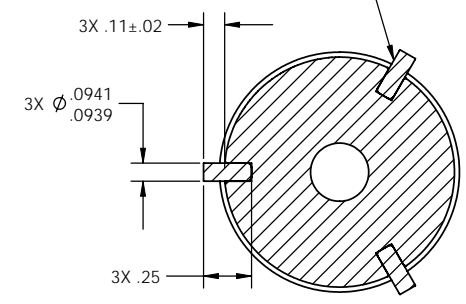
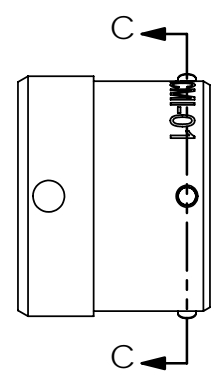
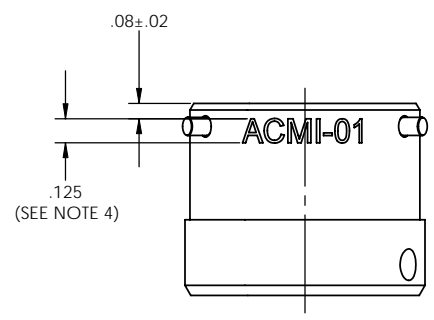


| REVISIONS | | | | | |
|-----------|------------------------|------|----------|------|------|
| REV. | DESCRIPTION | ECO | DATE | DRWN | APPD |
| A | RELEASE TO PRODUCTION. | 1418 | 11/09/09 | SC | JAS |



SECTION B-B



SECTION C-C

NOTES:

- MATERIAL: 6061 ALUMINUM.
- FINISH: CLEAR ANODIZED.
- AMERICAN NATIONAL STANDARD HARDENED GROUND MACHINE DOWEL PINS OR APPROVED EQUIVALENT. DOWEL PINS TO BE ZINC PLATED.
- LASER MARKINGS TO BE ARIAL FONT (.125 HIGH), CENTERED BETWEEN 2 DOWEL PINS AS SHOWN WITH RESPECT TO THE #8-32 TAP.
- THUMB SCREW (OPTO TECHNOLOGY P/N 63MT-0091) TO BE ASSEMBLED INTO #8-32 TAP AS SHOWN.
- PART TO BE FREE OF BURRS, SHARP EDGES AND FOREIGN MATERIAL.
- UNLESS OTHERWISE SPECIFIED ALL FEATURES SHALL HAVE A PROFILE TOLERANCE OF .010 ALL OVER WITH RESPECT TO DATUMS A & B.
- PART MUST BE ROHS COMPLIANT PER EUROPEAN UNION 2002/95/EC.
- SEE CAD MODEL 64MT-0533_A.STEP FOR ADDITIONAL DIMENSIONS.

PROPRIETARY AND CONFIDENTIAL
THE INFORMATION CONTAINED IN THIS DRAWING IS THE SOLE PROPERTY OF OPTO TECHNOLOGY INC. ANY REPRODUCTION IN PART OR AS A WHOLE WITHOUT THE WRITTEN PERMISSION OF OPTO TECHNOLOGY INC. IS PROHIBITED.

| | | | | |
|-----------------------------|----------------------|----------|------|--|
| UNLESS OTHERWISE SPECIFIED: | | NAME | DATE | OPTO TECHNOLOGY INC. 160 E. Marquardt Drive, Wheeling IL 60090 TITLE: ADAPTOR, .299" DIA X .354" LG FERRULE, (ACMI-01) |
| DIMENSIONS ARE IN INCHES | | DRAWN | SC | |
| TOLERANCES: | | CHECKED | JAS | |
| ANGULAR: ±1 DEG | | ENG APPR | JAS | |
| TWO PLACE DECIMAL ±.010 | | | | COMMENTS: DIMENSIONS APPLIED AFTER PLATING. |
| THREE PLACE DECIMAL ±.005 | | | | |
| REVISION | DATE | | | SCALE: 2:1 |
| MATERIAL | | | | WEIGHT: |
| FINISH | | | | SHEET 1 OF 1 |
| APPLICATION | DO NOT SCALE DRAWING | | | |
| NEXT ASSY | USED ON | | | |
| | | | | SIZE DWG. NO. REV C 64MT-0533 A |