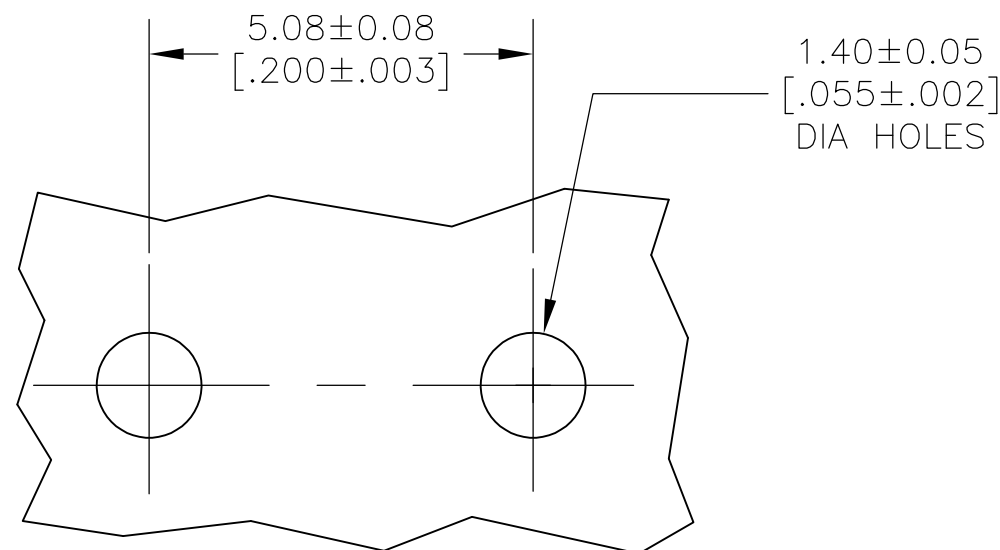
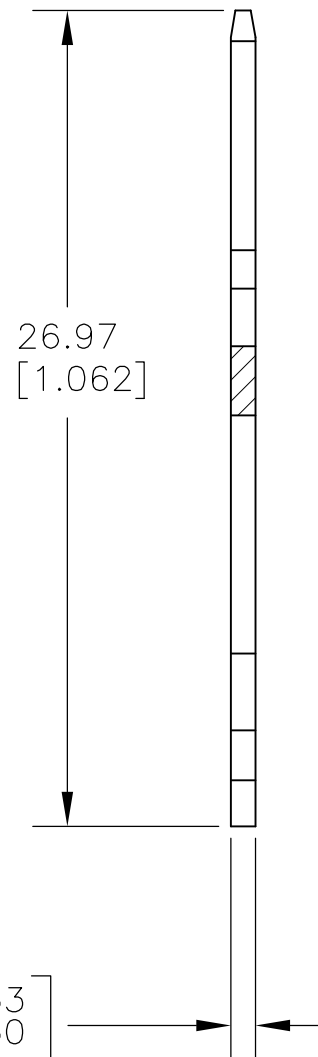
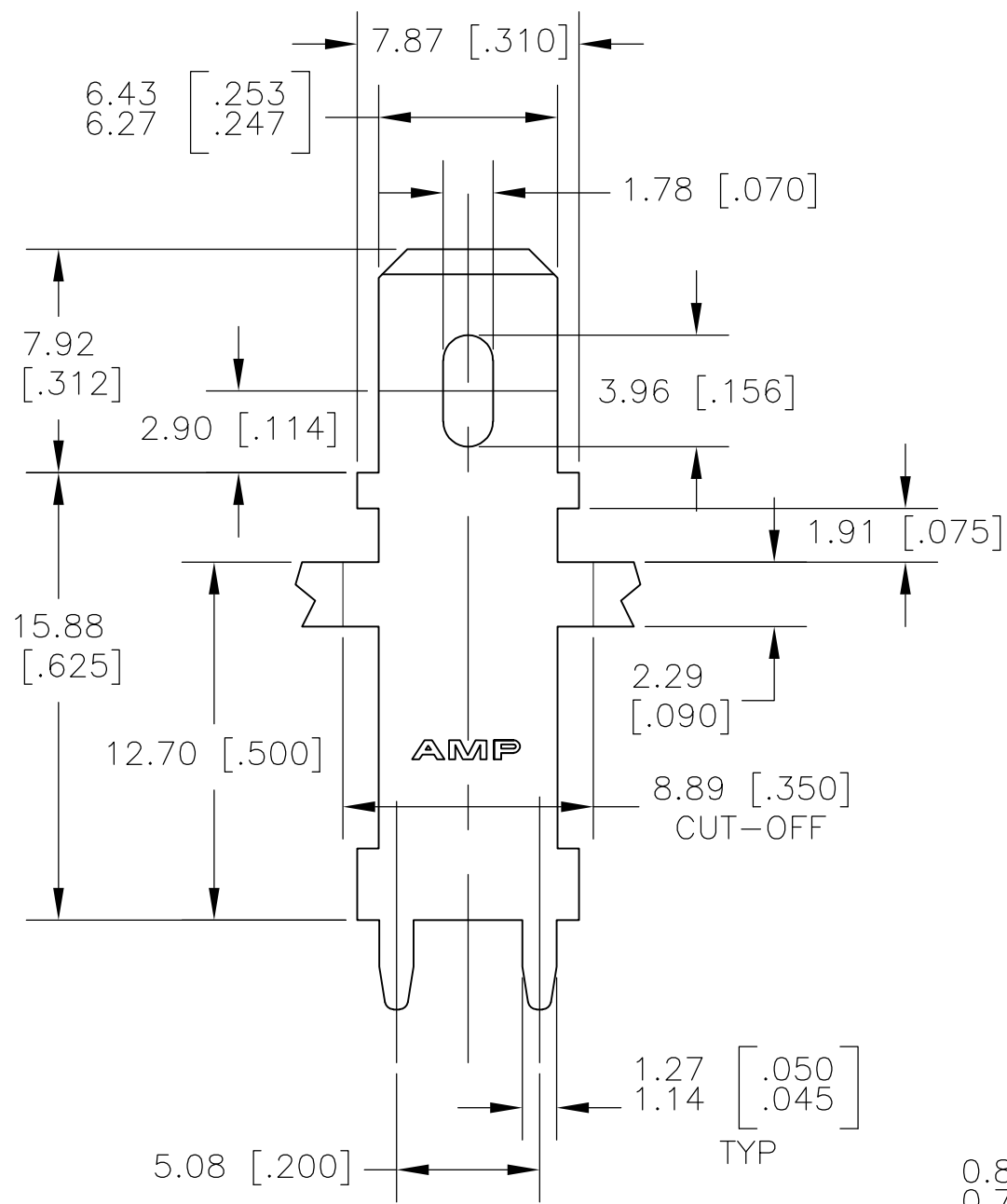


THIS DRAWING IS UNPUBLISHED. RELEASED FOR PUBLICATION
 © COPYRIGHT - By - ALL RIGHTS RESERVED.

LOC	DIST	REVISIONS					
AF	50	P	LTR	DESCRIPTION	DATE	DWN	APVD
		G1		REV PER ECO 12-020692	27NOV12	JR	PD

- 1 CONTINUOUS STRIP ON REELS
- 2 FEED IS 8.89±0.076 [.350±.003].
- 3 0.00381 [.000150] MIN TIN OVER
0.00127 [.000050] MIN NICKEL.
- 4 REELED WITH INTERLEAVING PAPER
- 5 PRELIMINARY - NOT FOR PRODUCTION



P.C. BOARD HOLES
SCALE 10:1

4	082 BRASS	5	63949-3
	H04 BRASS	5	63949-2
	082 BRASS		63949-1
	MATERIAL		PART NO.

THIS DRAWING IS A CONTROLLED DOCUMENT.		DWN	JR RUTH	05DEC00	TE Connectivity		
DIMENSIONS: INCHES		CHK	MS FEHER	05DEC00			
TOLERANCES UNLESS OTHERWISE SPECIFIED:		APVD	G PORTA	05DEC00	TAB, FASTON, P.C. BOARD, 6.35 [.250] SERIES		
0 PLC ± - 1 PLC ± - 2 PLC ± 0.25 [.010] 3 PLC ± - 4 PLC ± - ANGLES ± -		PRODUCT SPEC	-		APPLICATION SPEC	114-2115	RESTRICTED TO
MATERIAL SEE TABLE		FINISH	3		WEIGHT	-	SIZE
				CUSTOMER DRAWING		SCALE	4:1
				CAGE CODE		A300779	DRAWING NO
				DRAWING NO		C-63949	RESTRICTED TO
				SHEET		1 OF 1	REV
				REV		G1	