

JLINK-ARM-AD

Users Manual



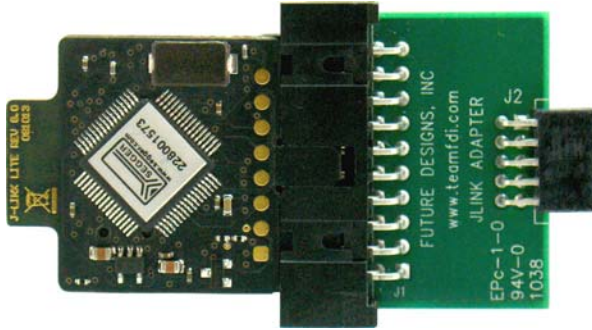
Copyright ©2011, Future Designs, Inc., All Rights Reserved

FDI ***Future Designs, Inc.***
Your Development Partner
2702 Triana Boulevard SW, Huntsville, AL 35805

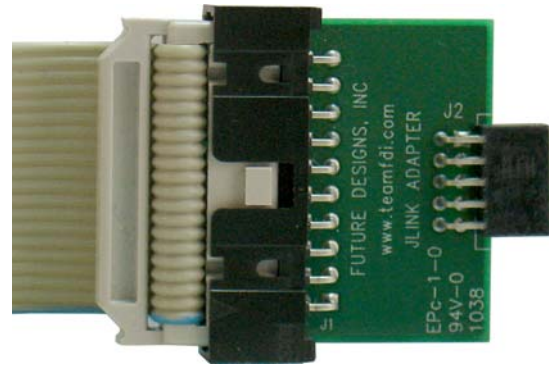
The JLINK-ARM-AD is designed to work with FDI's products that utilize a mini-JTAG connector. Products include the following:

- uEZGUI-xxx-43WQS
- uEZGUI-xxx-70WVE
- SOMDIMM-LPCxxxx

This product is intended for users who currently own a standard 20-pin JTAG debugger that is compatible with ARM based processor like the SEGGER J-Link, no debugger is included with this product. FDI products with a JTAG interface use a reduced size JTAG connector based on a 2mm header. This smaller connector provides 100% of the functionality of the standard 20-pin JTAG connector, but utilizes 70% less board space.

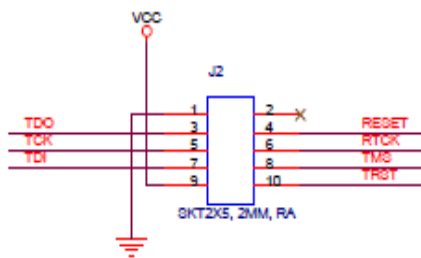


J-Link Lite with Adapter Board

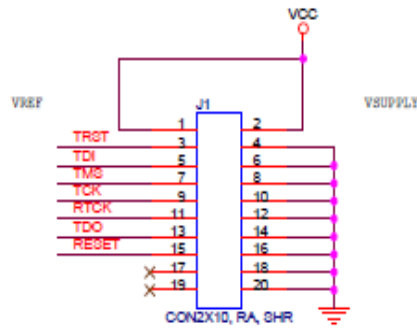


J-Link Ribbon Cable and Adapter Board

Schematic:



TO FDI MINI-JTAG CONNECTOR



TO ARM-STANDARD 20PIN JTAG DEBUGGER

Signal	Standard JTAG pin out	mini-JTAG pin out
VCC Supply	1, 2	9
TRST	3	10
TDI	5	7
TMS	7	8
TCK	9	5
RTCK	11	6
TDO	13	3
RESET	15	4
GND	4, 6, 8, 10, 12, 14, 16, 18, 20	1
No Connect	17, 19	2

Information in this document is provided solely to enable the use of Future Designs products. FDI assumes no liability whatsoever, including infringement of any patent or copyright. FDI reserves the right to make changes to these specifications at any time, without notice. No part of this document may be reproduced or transmitted in any form or by any means, electronic or mechanical, for any purpose, without the express written permission of Future Designs, Inc. 2702 Triana Blvd, Huntsville, AL 35805.

For more information on FDI or our products please visit www.teamfdi.com.

NOTE: The inclusion of vendor software products in this kit does not imply an endorsement of the product by Future Designs, Inc.
© 2011 Future Designs, Inc. All rights reserved.

FDI PN: JLINK-ARM-AD
Revision:1.0, 3/28/2011
Printed in the United States of America