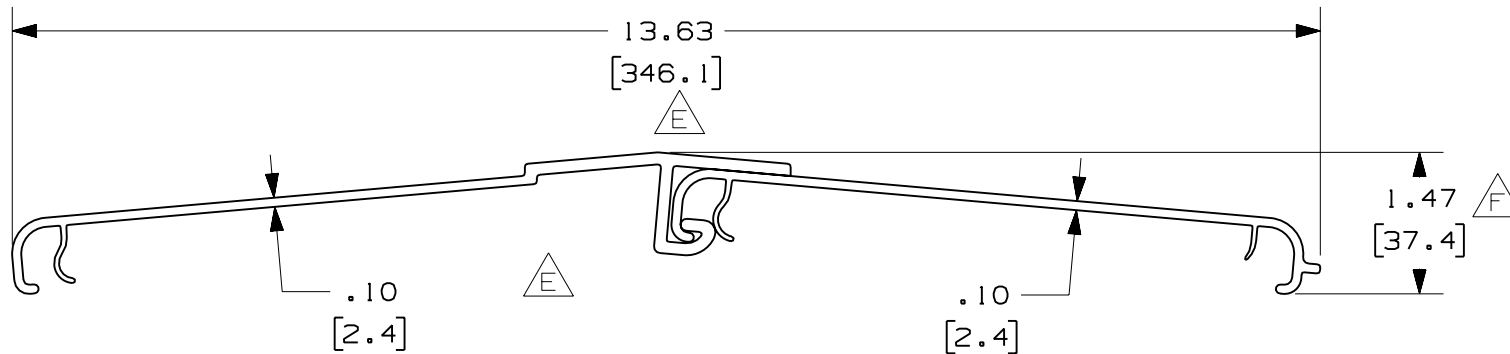


| $\triangle D$ PANDUIT PART NUMBER | LENGTH  | WEIGHT             | WEIGHT/LENGTH            |
|-----------------------------------|---|--------------------|--------------------------|
| FRHC12**2<br>(SEE NOTE 1)         | 78.74 IN $\pm$ .18 IN<br>(2000.0mm $\pm$ 4.6mm) | 8.33 LB<br>(3778g) | 1.27 LB/FT<br>(18.9g/cm) |
| FRHC12**6<br>(SEE NOTE 1)         | 72.00 IN $\pm$ .18 IN<br>(1828.8mm $\pm$ 4.6mm) | 7.62 LB<br>(3456g) | 1.27 LB/FT<br>(18.9g/cm) |

**NOTES:**

- SEE CURRENT CATALOG FOR ADDITIONAL PART SUFFIXES TO INDICATE COLOR AND/OR PACKAGE QUANTITY.
- DIMENSIONS IN PARENTHESES ARE IN METRIC.



$\triangle A$  ENG. REF.: D37689BE\_DC\_FRHC12\_01.prt

CAD FILENAME/LAYERS  $\triangle C$  FRHC12.pdf

**PANDUIT** CORP TINLEY PARK, ILLINOIS  
**FIBERRUNNER 12x4 SNAP-ON HINGED COVER (FRHC12\*\*2, FRHC12\*\*6)**  
 $\triangle B$  CUSTOMER DRAWING

UNLESS OTHERWISE SPECIFIED, DIMENSIONAL TOLERANCES ARE:  
 (.X)  $\pm$  (.XXX)  $\pm$   
 (.XX)  $\pm$ .03 (0.8) ANGLES  $\pm$

UNLESS OTHERWISE SPECIFIED, ALL DIMENSIONS ARE GIVEN IN INCHES, THIRD ANGLE PROJECTION.

| REV | DATE    | BY   | CHK  | DESCRIPTION   | ECN      | R   | CUST | SUP | GMBH |
|-----|---------|------|------|---|----------|-----|------|-----|------|
| -   | -----   | ---  | ---  | F. RELOCATED DIMENSION                              | -----    | --- | ---  |     |      |
| -   | -----   | ---  | ---  | E. REMOVED DIMENSIONS<br>D. REVISED ENTIRE CHART    | -----    | --- | ---  |     |      |
| 2   | 7-20-06 | DTP  | RN   | C. REVISED CAD FILENAME<br>B. REVISED DRAWING TITLE | 37689-06 | RN  | RN   |     |      |
| 1   | 6-20-01 | JHNU | HIW  | A. REVISED FILENAME:<br>CONVERTED TO PDF FILE       | 37689-06 | HIW | HIW  |     |      |
| R   | 10-5-00 | JHNU | RCRO | RELEASED TO PRODUCTION                              | 37689-06 | HIW | HIW  |     |      |

|                  |               |                         |
|------------------|---------------|-------------------------|
| DRAWN BY<br>JHNU | MAT'L:<br>PVC | SCALE<br>NONE           |
| DATE<br>10-5-00  |               | DRAWING NO.<br>37689-06 |
| CHK'D<br>RCRO    |               | DWG<br>A<br>SIZE        |