

NOTES:

1.0 MATERIALS:

- 1.1 HOUSING & NUT: STAINLESS STEEL PER ASTM-A582, TYPE 303.
- 1.2 CENTER CONTACT: BERYLLIUM COPPER ROD ALLOY C172, PER ASTM-B194.
- 1.3 DIELECTRIC: PTFE FLUOROCARBON PER ASTM-D1457.

2.0 PLATING:

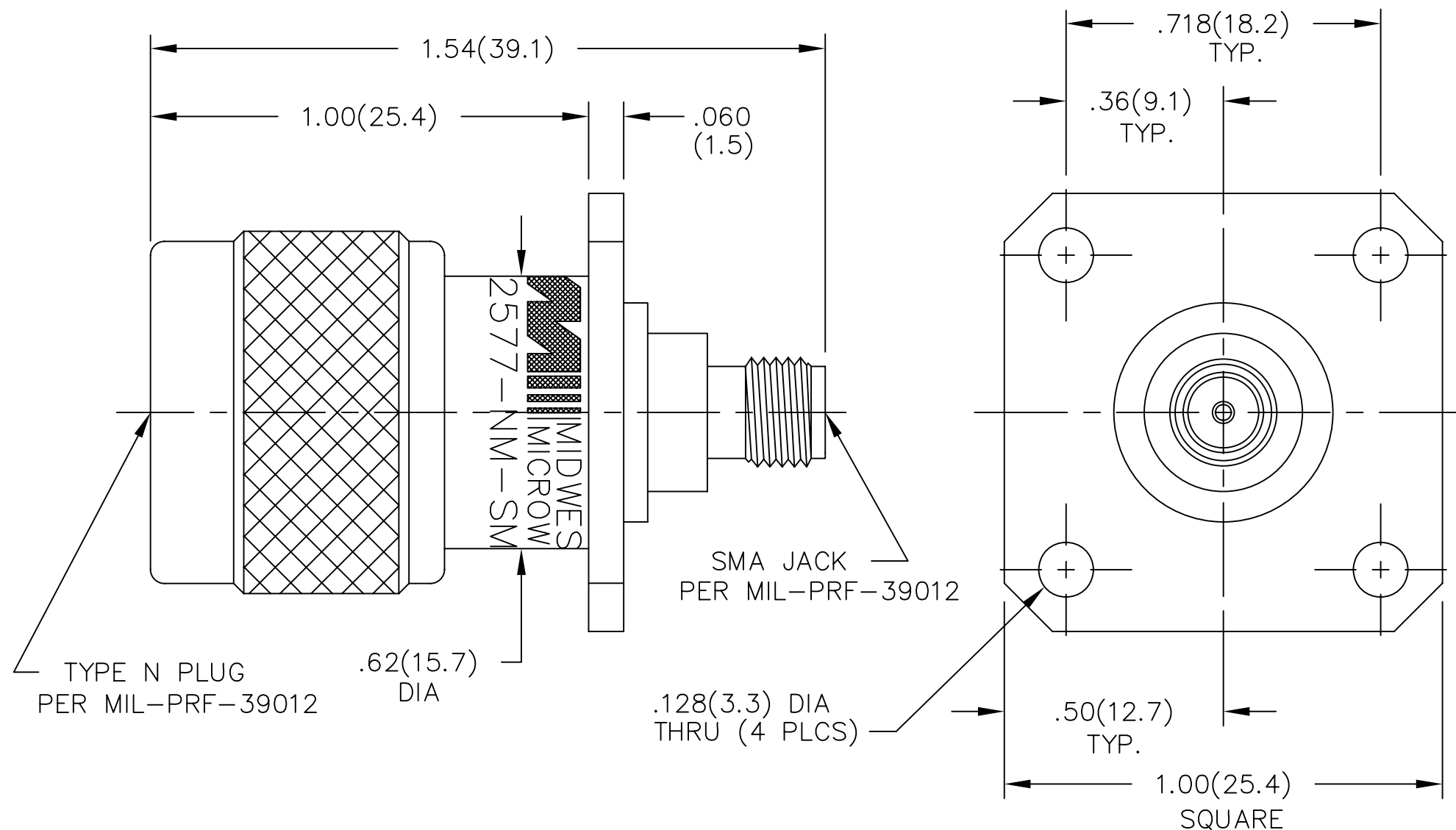
- 2.1 HOUSING & COUPLING NUT: PASSIVATED PER MIL-F-14072.
- 2.2 CENTER CONTACT: GOLD PER MIL-G-45204, TYPE II, CLASS 2.

3.0 ELECTRICAL SPECIFICATIONS:

- 3.1 FREQUENCY RANGE: DC to 18.0 GHz
- 3.2 VSWR (MAX):
  - DC to 4.0 GHz: 1.04:1
  - 4.0 to 8.0 GHz: 1.07:1
  - 8.0 to 18.0 GHz: 1.12:1

4.0 DIMENSIONS IN PARENTHESIS ARE IN MILLIMETERS.

5.0 MARKING: MARK UNIT AS SHOWN (REF.: INK-02669-27-43)



MODEL NUMBER  
ADT-2577-NM-SMF-02  
REV.  
C1

REV.	DESCRIPTION	DATE
-	RELEASED	7/1/80
A	ECR 6545	6/24/89
A1	UPDATE MODEL NO.	2/11/93
B	ON CAD/UPDATE SPECS	6/11/93
C	ECN 16983	2/17/99
C1	ADDED TITLEBLOCK	3/9/05

DWG NO. WAS: 02416-01-00

UNLESS OTHERWISE NOTED DIMENSIONS ARE IN INCHES AND TOLERANCES ARE:		FSCM NO. <b>34078</b>		<b>MIDWEST MICROWAVE</b>	
3 PLACE DECIMALS ±.005		NOTICE: The information contained in this drawing is proprietary and must not be used without the permission of Midwest Microwave		TITLE ADAPTER	
2 PLACE DECIMALS ±.02					
FRACTIONS ±1/64					
PARALLELITY: T.I.R. _____					
FLATNESS: T.I.R. _____		DRAWN/DATE A.BEATTY 6/11/93	ENG./DATE A.OSGA 6/15/93	DRAWING NUMBER ADT-2577-NM-SMF-02	
CONCENTRICITY: T.I.R. _____		CHECKED/DATE	APPROVED/DATE	SCALE: 3=1 SHEET 1 of 1	
ANGLES AND PERPENDICULARITY: ±1°					