

B283000N2

SERIES
 B28= FORM A
 POLES
 2= 2 POLE & 3= 3 POLE
 CURVED BASE DIAMETER
 000= FLAT
 MATERIAL AND HOUSING COLOUR
 N= PA6 BLACK, W= PA6 BLACK V0, G= PA6 GRAY

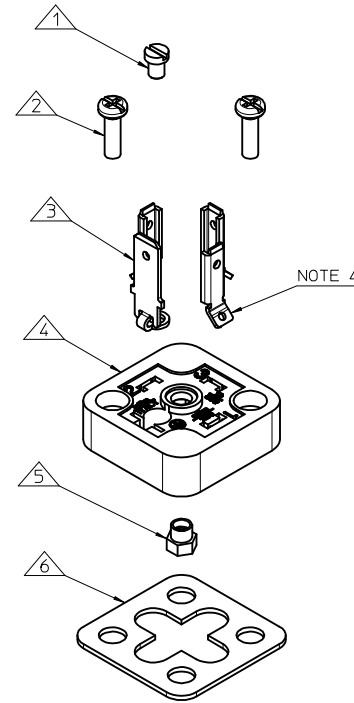
SCREW AND GASKET
 1= NBR PROFILE GASKET & SCREWS
 2= NBR FLAT GASKET & SCREWS
 4= SILICON FLAT GASKET & SCREWS
 6= NBR FLAT GASKET & NO FIXING SCREWS
 G= SCREWS & NO GASKET

NOTES

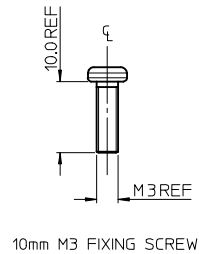
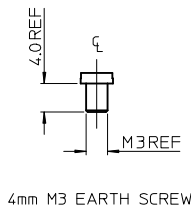
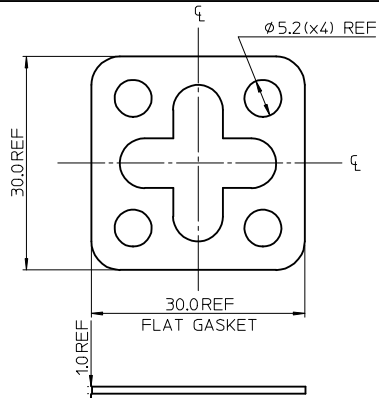
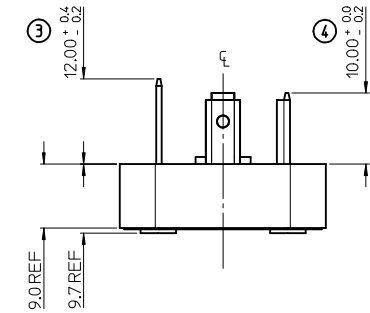
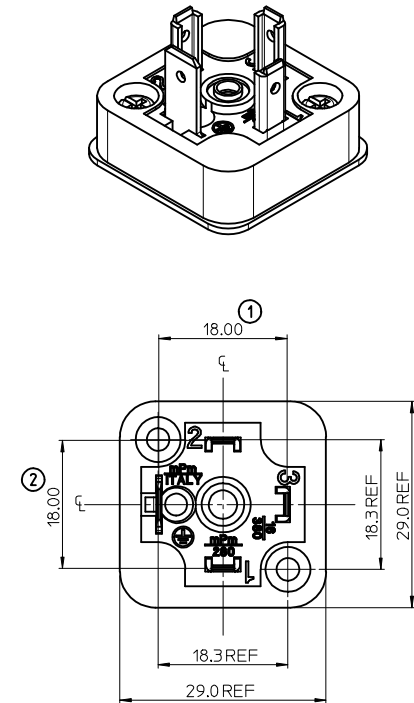
- PLEASE SEE TABLE FOR CURRENTLY CONFIGURED PART NUMBERS. FOR SPECIFIC PART NUMBERS PLEASE CONTACT SALES OR CONSULT THE INTELLIGENT PART NUMBERS IN THE TABLE ATTACHED.
- FOR PACKAGING SEE PACKAGING SPEC PK-121012-B28
- PRODUCT SPEC: SEE PS-121201-001
- TERMINALS BENT AFTER INSERTION. SEE TABLE FOR TERMINAL BEND ANGLE

LAST INSPECTION NUMBER 4

| PART NO | MPM NO | DESCRIPTION | TERMINAL BEND ANGLE |
|------------|-------------|--|---------------------|
| 1210120091 | B282000G2 | TYPE A 2P GRAY, NBR FLAT GASKET & SCREWS | 45 |
| 1210120093 | B282000N1 | TYPE A 2P BLACK, NBR PROFILE GASKET & SCREWS | 45 |
| 1210120095 | B282000N2 | TYPE A 2P BLACK, NBR FLAT GASKET & SCREWS | 45 |
| 1210120096 | B282000N4 | TYPE A 2P BLACK, SILICON FLAT GASKET & SCREWS | 45 |
| 1210120097 | B282000W2 | TYPE A 2P BLACK V0, NBR FLAT GASKET & SCREWS | 45 |
| 1210120099 | B283000N2 | TYPE A 3P BLACK, NBR FLAT GASKET & SCREWS | 45 |
| 1210120100 | B283000N4 | TYPE A 3P BLACK, SILICON FLAT GASKET & SCREWS | 45 |
| 1210120101 | B283000N6 | TYPE A 3P BLACK, NBR FLAT GASKET & NO FIXING SCREWS | 45 |
| 1210120146 | B283000NG | TYPE A 3P BLACK, SCREWS, NO GASKET | 45 |
| 1210130199 | B282000W2SA | TYPE A 2P BLACK, NBR FLAT GASKET & SCREWS, UL LISTED | 45 |
| 1210130233 | B283000W2SA | TYPE A 3P BLACK, NBR FLAT GASKET & SCREWS, UL LISTED | 45 |



| ITEM | DESCRIPTION |
|------|---------------|
| 1 | EARTH SCREW |
| 2 | FIXING SCREWS |
| 3 | TERMINALS |
| 4 | HOUSING |
| 5 | INSERT |
| 6 | GASKET |



| REV | DESCRIPTION | QUALITY SYMBOLS | GENERAL TOLERANCES (UNLESS SPECIFIED) | | DIMENSION STYLE MM ONLY | SCALE 2:1 | DESIGN UNITS METRIC | THIRD ANGLE PROJECTION |
|-----|---------------------------|-----------------|--|------|--|--------------------|-----------------------------------|------------------------|
| | | | mm | INCH | | | | |
| 1 | EC NO: IPG2014-0532 | ▽=0 | 4 PLACES ±--- | ±--- | DRAWN BY DSHEA | DATE 2011/06/10 | TITLE B28 SERIES BASES | |
| 2 | DRW:KORNOYLE 2013/09/30 | ▽=0 | 3 PLACES ±--- | ±--- | CHECKED BY DMAHER | DATE 2011/06/11 | MATERIAL NO. EFOLAN 2011/06/30 | |
| 3 | CHKD:DSHEA 2013-10-23 | | 2 PLACES ±0.10 | ±--- | APPROVED BY EFOLAN | DATE 2011/06/30 | DOCUMENT NO. SD-121012-003 | |
| 4 | APPR:STGERFFIN 2013/11/11 | | 1 PLACE ±0.2 | ±--- | MATERIAL NO. EFOLAN 2011/06/30 | | SHEET NO. 1 OF 1 | |
| | | | ANGULAR ±---° | | MATERIAL NO. EFOLAN 2011/06/30 | | | |
| | | | DRAFT WHERE APPLICABLE MUST REMAIN WITHIN DIMENSIONS | | MATERIAL NO. EFOLAN 2011/06/30 | | | |
| | | | SIZE A 2 | | THIS DRAWING CONTAINS INFORMATION THAT IS PROPRIETARY TO MOLEX INCORPORATED AND SHOULD NOT BE USED WITHOUT WRITTEN PERMISSION | | | |