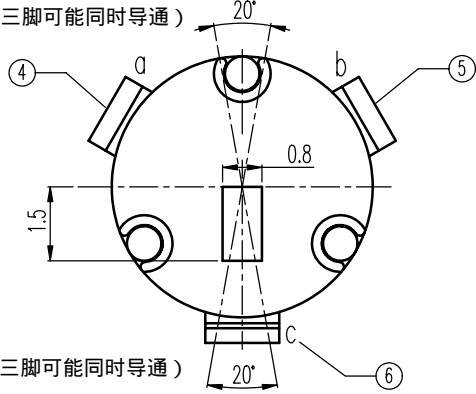
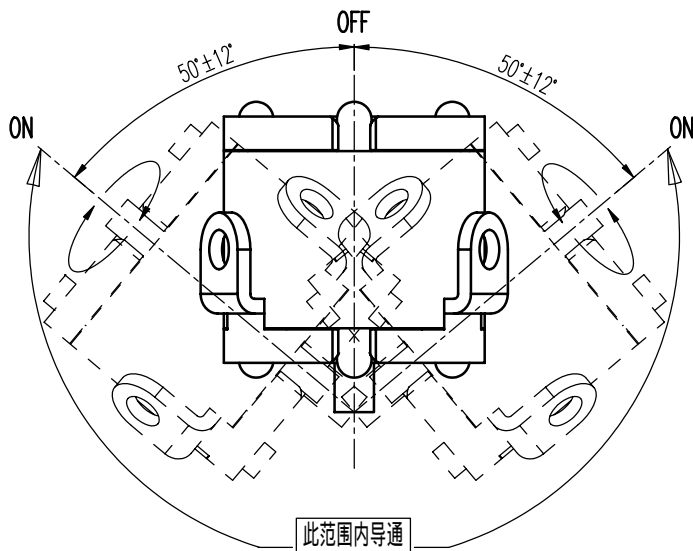
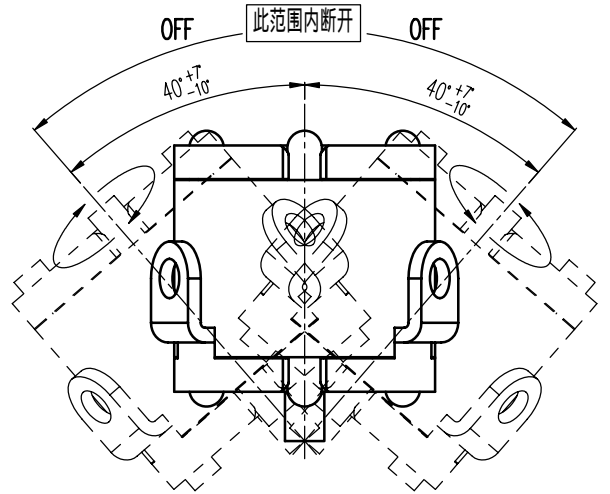


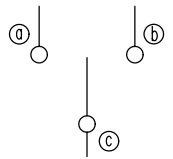
(此范围内三脚可能同时导通)



(此范围内三脚可能同时导通)



电路示意图 CIRCUIT SCHEMATIC



规格 Specifications ①

| | |
|--------------------------------|----------------------------|
| 额定负荷 Ratings | DC 3V 1mA |
| 绝缘电阻 Insulation Resistance | DC 500V 60±5Sec. 10MΩ Min. |
| 抗电强度 Dielectric Voltage | AC 500V 60±5Sec. |
| 负荷寿命 Operating Life With Load | 100,000次 |
| 专利申请号 Requisition of patent No | China: 200720118725.6 |

| | | | | | | | | |
|--------|----------------|-------------|--------|------------|------------------|--------------------------|----------|-----------|
| 7 | 铜珠 BALL | BRASS | 1 | Au PLATED | | | | |
| 6 | 端子C TERMINAL C | C2680R | 1 | Au PLATED | A05 | 变更内容详见图中标示处 ① | 王小东 | 2008-1-17 |
| 5 | 端子B TERMINAL B | C2680R | 1 | Au PLATED | A04 | 变更初始导通角度公差为50±12°, 见标示 ③ | 王小东 | 2007/5/15 |
| 4 | 端子A TERMINAL A | C2680R | 1 | Au PLATED | A03 | 增加专利号内容, 详见图中标示处 ① | 王小东 | 2007/3/15 |
| 3 | 胶盖B COVER B | PA | 1 | BLACK C | A02 | 变更内容详见图中标示处 ① | 王小东 | 07-01-26 |
| 2 | 胶盖A COVER A | PA | 1 | BLACK C | A01 | | 王小东 | 07-01-23 |
| 1 | 胶壳 HOUSING | PA | 1 | BLACK C | 标号 REV | 内容 DESCRIPTION | 签名 SIGN. | 日期 DATE |
| 序号 NO. | 零件 PART | 材料 MATERIAL | 数量 QTY | 备注 REMARKS | DWG NO. ITEM2793 | | | |

| | | | | | | | | |
|-----------------------------------|--------|----------|-----------------------|-----------|------------|--------------|--------|------|
| TOLERANCES UNLESS OTHERWISE SPEC. | | TITLE | ROLLING BALL SENSOR ① | | ITEM NO | RB-3R0232-50 | | |
| UNDER 1 | ± 0.10 | DRAWN | 王小东 | 2008-1-17 | VERSION | A05 | PAGE 1 | OF 1 |
| 1 - 10 | ± 0.30 | REVIEWED | 方勇 | 2008-1-18 | SCALE | | UNIT | mm |
| OVER 10 | ± 0.50 | APPROVED | 程先金 | 2008-1-18 | PROJECTION | | | |

COMAX ELECTRONICS (HUIZHOU) CO.,LTD.